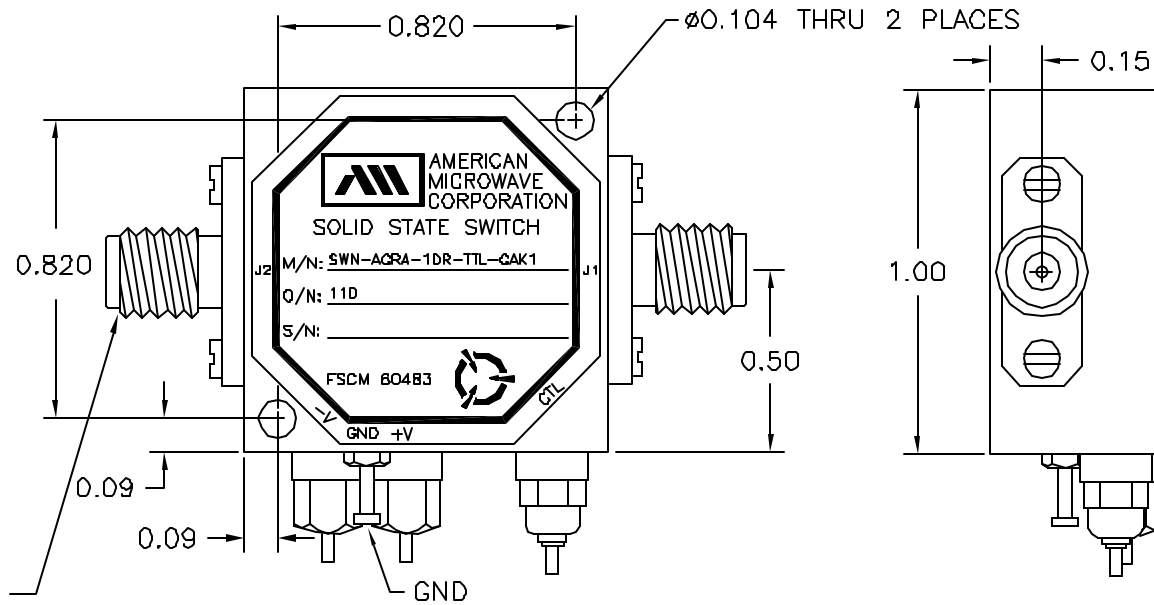


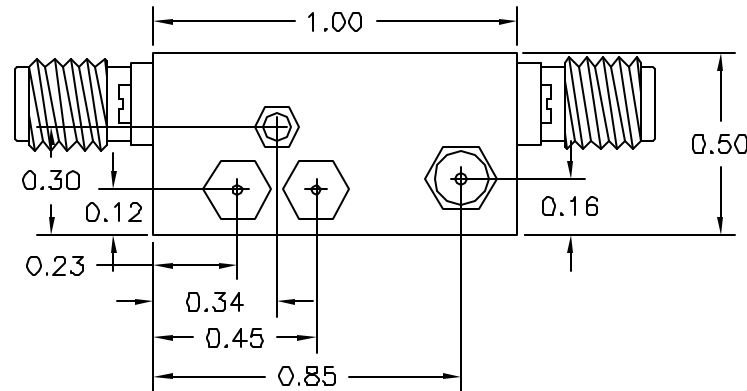
## DESCRIPTION

AMC MODEL SWN-AGRA-1DR-TTL-GAK1 OPTION: 110 IS A REFLECTIVE SINGLE POLE SINGLE THROW SWITCH DESIGNED TO OPERATE BETWEEN THE 1 TO 10 GHz FREQUENCY RANGE.

REVISIONS				
ZONE	REV.	DESCRIPTION	DATE	APPROVED
	-	ORIGINAL RELEASE JOB# 505139N	6/14/06	
	A	SEE ECN #05-057	8/9/06	



## MECHANICAL OUTLINE



SMA FEMALE CONNECTOR 2 PLACES.

ALL DIMENSIONS ARE IN INCHES  
TOLERANCES:  
X.XX ±0.020  
X.XXX ±0.010

## AMERICAN MICROWAVE CORPORATION

7311-G GROVE ROAD  
FREDERICK, MARYLAND 21704 USA  
TEL: 301-662-4700 FAX: 301-662-4938  
WEBSITE: [www.americanmicrowavecorp.com](http://www.americanmicrowavecorp.com)  
E-MAIL: [sales@americanmicrowavecorp.com](mailto:sales@americanmicrowavecorp.com)  
ISO 9001:2000 CERTIFIED



APPROVALS		DATE	TITLE		
DRAWN	<i>FDF</i>	6/14/05	MECHANICAL OUTLINE SWN-AGRA-1DR-TTL-GAK1 OPTION: 110		
MODIFIED	<i>FDF</i>	8/9/06	SIZE	FSCM NO.	DWG NO.
ISSUED			A	60483	100-7459
			SCALE	N:S	SHEET 2 OF 4

## DESCRIPTION

AMC MODEL SWN-AGRA-1DR-TTL-GAK1 OPTION: 110 IS A REFLECTIVE SINGLE POLE SINGLE THROW SWITCH DESIGNED TO OPERATE BETWEEN THE 1 TO 10 GHz FREQUENCY RANGE.

## SPECIFICATIONS

- FREQUENCY RANGE: ..... 1 TO 10 GHz
- INSERTION LOSS: ..... 3.0 dB MAXIMUM
- ISOLATION: ..... 1-2 GHz: 45 dB MINIMUM  
2-18 GHz: 70 dB MINIMUM
- VSWR: ..... 2.0:1
- DELAY ON: ..... 15 nSec MAXIMUM
- DELAY OFF: ..... 15 nSec MAXIMUM
- POWER INPUT: ..... (CW)+20 dBm (STANDARD), +10 dBm (HIGH SPEED)
- SURVIVAL POWER: ..... 1 WATT CW, 10 WATTS PEAK 1  $\mu$ Sec
- CONTROL: ..... TTL LOGIC "0V" = ON  
TTL LOGIC "+5V" = OFF
- POWER SUPPLY: ..... +5V @ 60 mA MAXIMUM  
-5V @ 60 mA MAXIMUM
- CONNECTORS:
  - RF: ..... SMA FEMALE
  - CONTROL: ..... SOLDER PIN
- SIZE: ..... 1.00" (L) x 1.00" (W) x 0.50" (H)
- WEIGHT: ..... 1.5 OUNCE MAXIMUM

## OPTIONS:

- 110: ..... 1 TO 10 GHz FREQUENCY RANGE

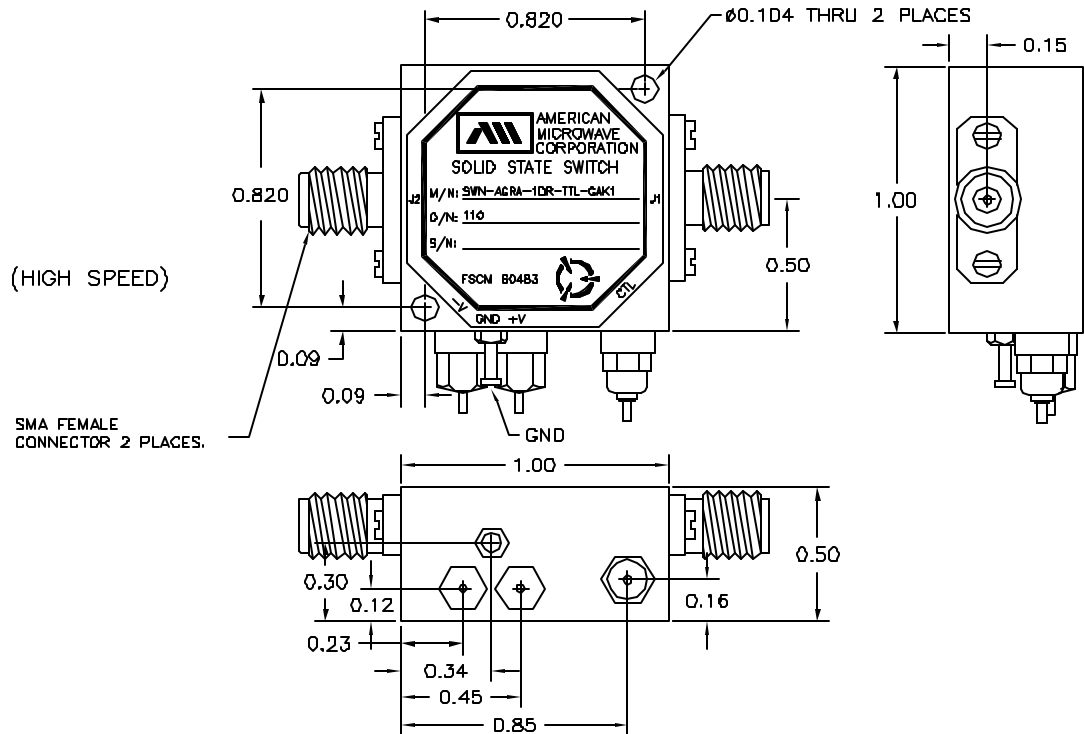
## ENVIRONMENTAL RATINGS:

- TEMPERATURE: ..... -55°C TO +85°C (OPERATING)  
-65°C TO +125°C (STORAGE)
- HUMIDITY: ..... MIL-STD-202F, METHOD 103B COND. B
- SHOCK: ..... MIL-STD-202F, METHOD 213B COND. B
- VIBRATION: ..... MIL-STD-202F, METHOD 204D COND. B
- ALTITUDE: ..... MIL-STD-202F, METHOD 105C COND. B
- TEMPERATURE CYCLE: ..... MIL-STD-202F, METHOD 107D COND. A

NOTE: SPECIFICATIONS WILL VARY OVER OPERATING TEMPERATURE.  
NOTE: THE ABOVE SPECIFICATIONS ARE SUBJECT TO CHANGE OR REVISION

ALL DIMENSIONS ARE IN INCHES  
TOLERANCES:  
XXX ±0.020  
XXX ±0.010

REVISIONS				
ZONE	REV.	DESCRIPTION	DATE	APPROVED
-		ORIGINAL RELEASE JOB# 505139N	6/14/06	
A		SEE ECN #05-057	8/9/06	



## AMERICAN MICROWAVE CORPORATION

7311-G GROVE ROAD  
FREDERICK, MARYLAND 21704 USA  
TEL: 301-662-4700 FAX: 301-662-4938  
WEBSITE: [www.americanmicrowavecorp.com](http://www.americanmicrowavecorp.com)  
E-MAIL: [sales@americanmicrowavecorp.com](mailto:sales@americanmicrowavecorp.com)  
ISO 9001:2000 CERTIFIED



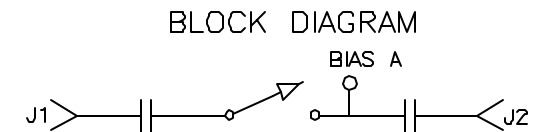
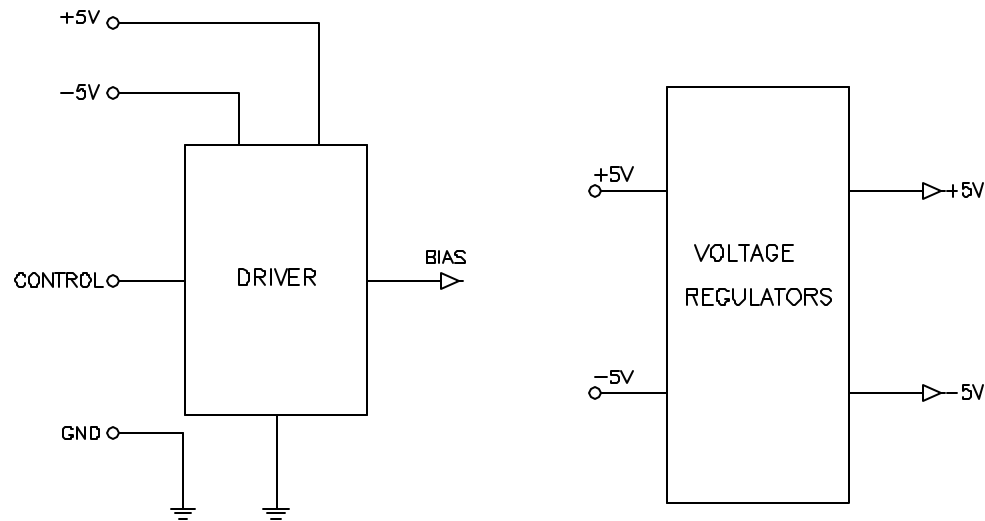
APPROVALS		DATE	TITLE		
DRAWN <i>FDF</i>		6/14/05	PRODUCT FEATURE SWN-AGRA-1DR-TTL-GAK1 OPTION: 110		
MODIFIED <i>FDF</i>		8/9/06	1-10 GHz, SINGLE POLE SINGLE THROW SWITCH		
ISSUED			SIZE A	FSCM NO. 60483	DWG NO. 100-7459
			SCALE N:S	SHEET 1 OF 4	

**DESCRIPTION**

AMC MODEL SWN-AGRA-1DR-TTL-GAK1 OPTION: 110 IS A REFLECTIVE SINGLE POLE SINGLE THROW SWITCH DESIGNED TO OPERATE BETWEEN THE 1 TO 10 GHz FREQUENCY RANGE.

REVISIONS				
ZONE	REV.	DESCRIPTION	DATE	APPROVED
	-	ORIGINAL RELEASE JOB# 505139N	6/14/05	
	A	SEE ECN #05-057	8/9/05	

**FUNCTIONAL BLOCK DIAGRAM**



**AMERICAN MICROWAVE CORPORATION**  
 7311-G GROVE ROAD  
 FREDERICK, MARYLAND 21704 USA  
 TEL: 301-662-4700 FAX: 301-662-4938  
 WEBSITE: [www.americanmicrowavecorp.com](http://www.americanmicrowavecorp.com)  
 E-MAIL: [sales@americanmicrowavecorp.com](mailto:sales@americanmicrowavecorp.com)  
 ISO 9001:2000 CERTIFIED



APPROVALS		DATE	TITLE		
DRAWN <i>FDF</i>		6/14/05	FUNCTIONAL BLOCK DIAGRAM		
MODIFIED <i>FDF</i>		8/9/05	SWN-AGRA-1DR-TTL-GAK1		
ISSUED			OPTION: 110		
	SIZE	FSCH NO.	DWG NO.		REV.
	A	60483	100-7459		A
SCALE N:S			SHEET		3 OF 4